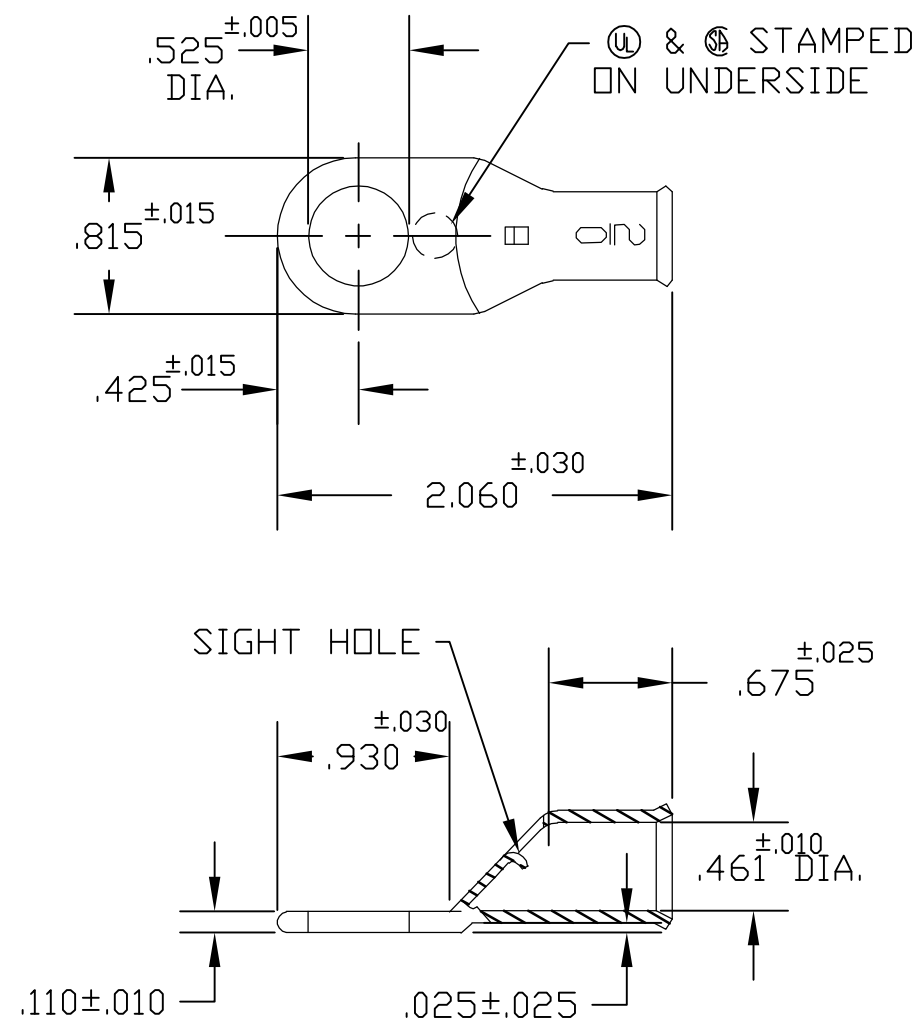


THIS DRAWING IS UNPUBLISHED. RELEASED FOR PUBLICATION
 © COPYRIGHT BY TYCO ELECTRONICS CORPORATION. ALL RIGHTS RESERVED.

LOC	DIST	REVISIONS					
		P	LTR	DESCRIPTION	DATE	DWN	APVD
G	50		A1	REVISED PER ECR-06-011359	16MAY06	HMR	JR



ACTIVE	20501-03	STANDARD	TIN PLATE	1526782-2
ACTIVE	20501-02	STANDARD	PLAIN	1526782-1
STATUS	AET P/N	PACKAGING	FINISH	PART NUMBER

THIS DRAWING IS A CONTROLLED DOCUMENT.		DWN D.A.A	10/9/00	Tyco Electronics Corporation Harrisburg, PA 17105-3608	
DIMENSIONS: INCHES		CHK H.D.F	10/9/00		
		APVD H.D.F	10/9/00	NAME 2/0 STANDARD TERMINAL W/SIGHT HOLE	
TOLERANCES UNLESS OTHERWISE SPECIFIED:		PRODUCT SPEC		SIZE	
0 PLC	± -	-		CAGE CODE	DRAWING NO
1 PLC	± -	APPLICATION SPEC		00779	C-1526782
2 PLC	± -	-		RESTRICTED TO	
3 PLC	± -	-		-	
4 PLC	± -	-		-	
ANGLES	± -	WEIGHT		-	
MATERIAL	FINISH	CUSTOMER DRAWING		SCALE	SHEET
COPPER ASTM B-152	-	-		1:1	1 OF 1
				REV	A1